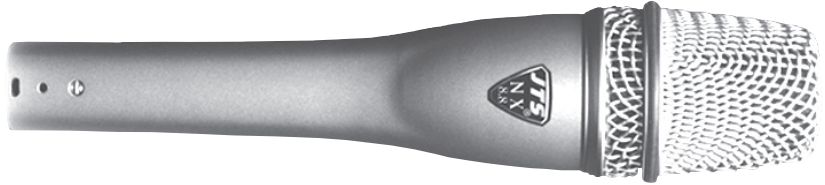


## **NX-8.8 Cardioid Vocal Condenser Microphone.**



The NX-8.8 is a vocal performance condenser microphone with high output. It provides live sound reinforcement with studio-quality sound.

The NX-8.8 has a smooth and extended frequency response which insures warm and natural sound. Outstanding directional pattern provides maximum gain before feedback.

The excellent shock mount device eliminates virtually all handling and cable noise.

The overall designed structure including a hardened grill insures NX-8.8 to withstand rugged environment.

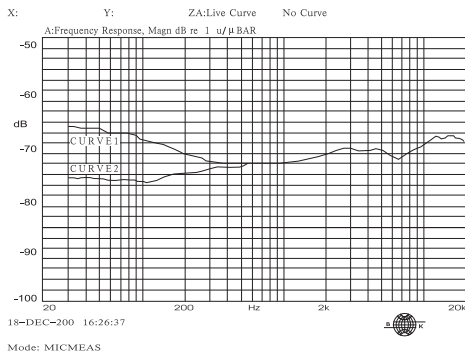
The NX-8.8 is an optimal choice for vocal performance.

### **Note:**

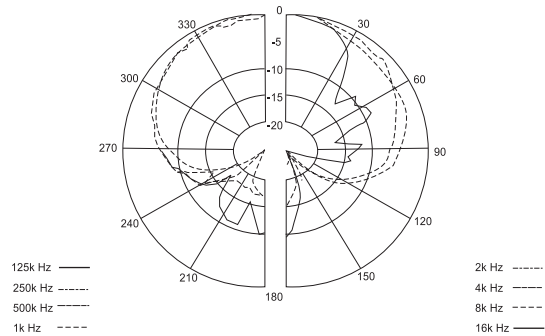
1. When using a handheld microphone please always hold the microphone body. Holding the grille might cause howling.
2. The miking effect will vary according to the distance between sound source and the microphone. (proximity effect).
3. When using a vocal microphone the optimal distance between mouth and a microphone is between 2.5~15cm (1~6inches).
4. Miking is a technique and an art. Always try to find your favorable miking method.
5. Avoid leaving the microphone in an environment where the temperature, humidity or both are extremely high.

# SPECIFICATIONS

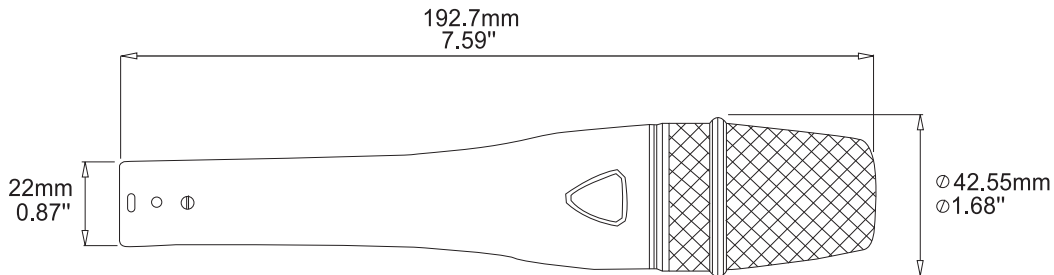
- High Gain, Low Noise
- Type: Unidirectional electret condenser
- Frequency Response: 60 to 20,000Hz (see Figure1)
- Polar Pattern: Cardioid, rotationally symmetrical about microphone axis, uniform with frequency (see Figure2)
- Output Level (at 1,000Hz): Open circuit voltage:  $-73 \text{ dB} * (0.22 \text{ mV}) * 0 \text{ dB} = 1 \text{ V } \mu / \text{bar}$
- Impedance: Rated impedance is  $270 \Omega$  for connection to microphone inputs rated low Z
- Phasing: Positive pressure on diaphragm produces positive voltage on pin 2 with respect to pin 3
- Connector: Three-pin professional audio connector (male XLR type)
- Case: Metallic enamel-painted die cast metal with hardened, matte-finished steel grille
- Net Weight: 290 grams(10.2 oz)
- Wide Frequency Response(60Hz~20,000kHz)
- Phantom Power 9-52V



JTS-NX8.8 CURVE 1:0 degree , 5cm  
 CURVE 2:0 degree , 50cm  
 TYPICAL FREQUENCY RESPONSE  
 Figure1



JTS-NX8.8 TYPICAL POLAR PATTERN  
 Figure2



Dimensions

## NX-Series Microphone